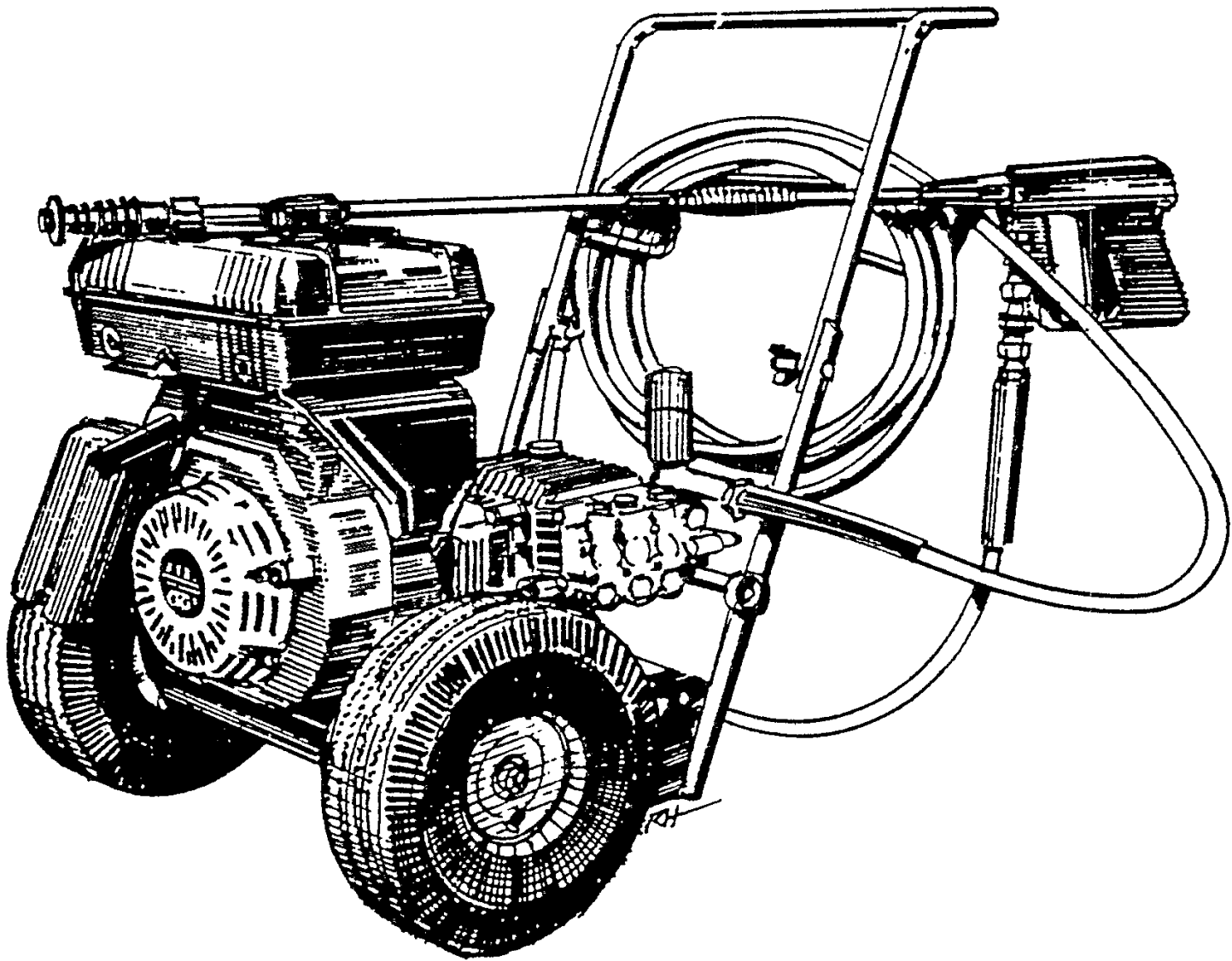


Parts Manual

Mfg. No: 0485-0
6,300 CP



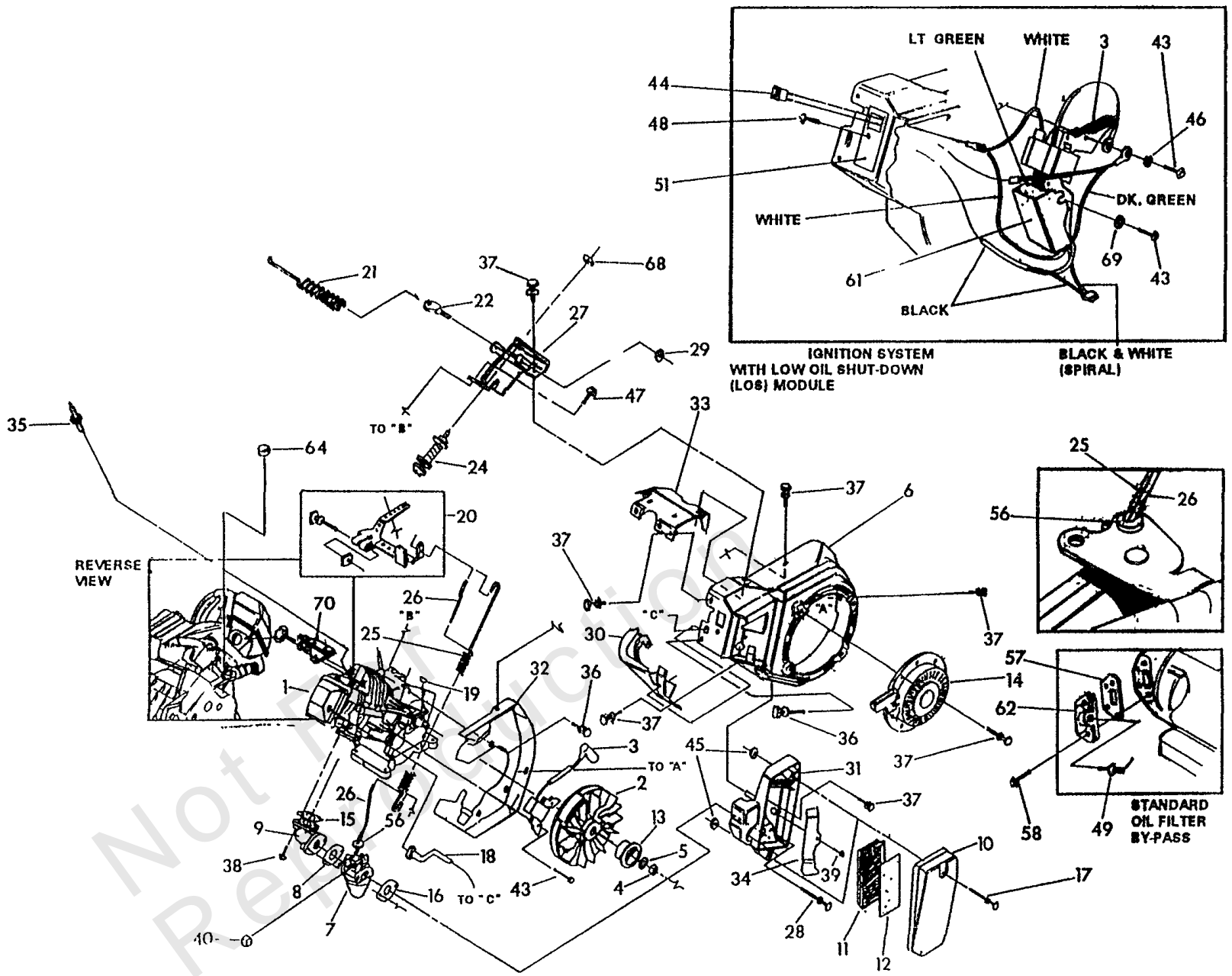
Model Components	Page
Engine Trim Specifications.....	4
Pressure Washer.....	8
Torque Specification Chart.....	10

Not For
Reproduction

Engine Trim Specifications

Note: Unless noted otherwise, use the standard torque specifications

Mfg. No: 0485-0



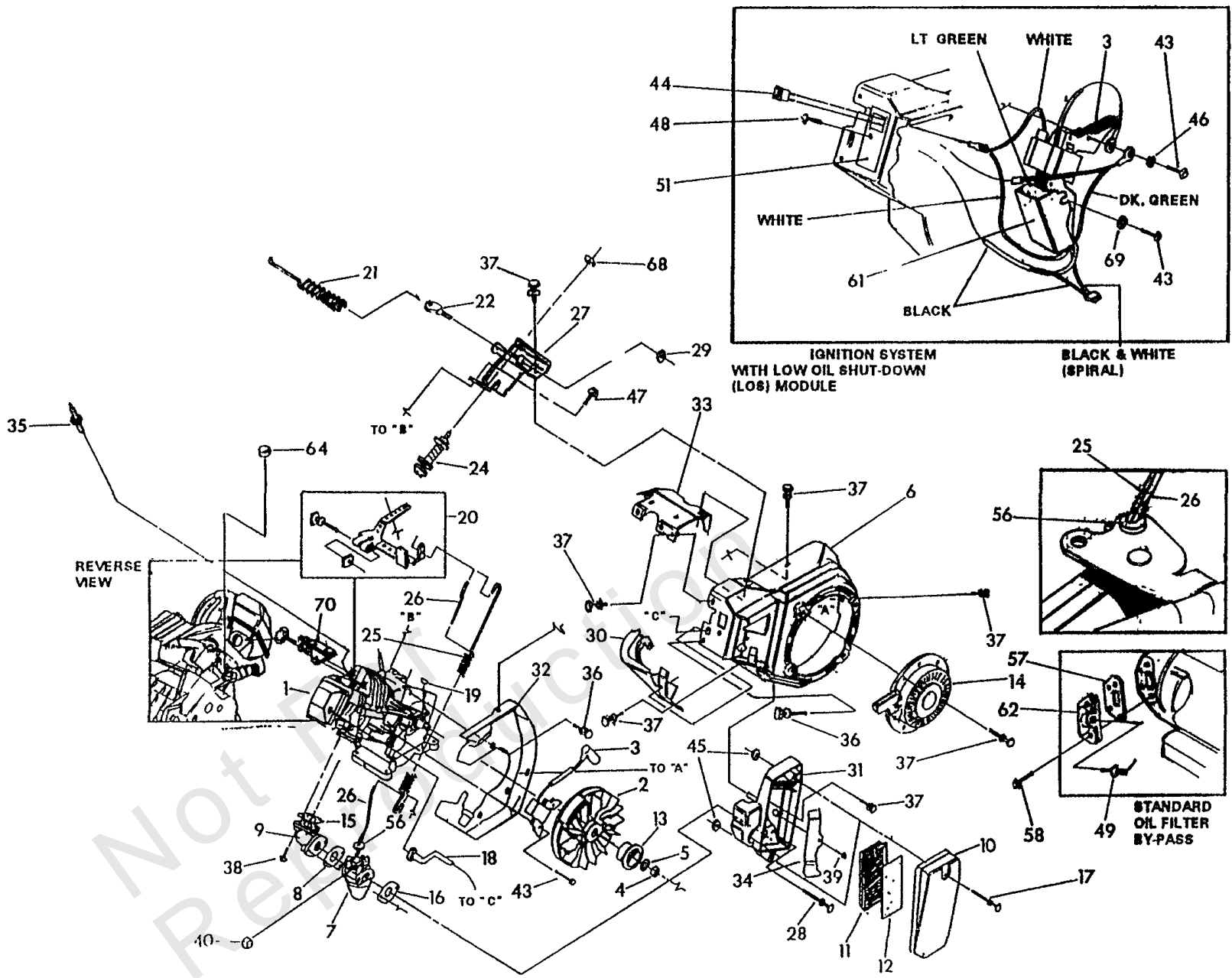
Engine Trim Specifications

REF NO	PART NO	QTY	DESCRIPTION
1	90507	1	Engine, Taper Shaft
2	77182T	1	Flywheel Assembly
3	81675	1	Ignition Coil Assembly
4	81810	1	M16-1.5 Hex Nut
5	83312	1	Conical Washer
6	90695A	1	Blower Housing
7	95948	1	Carburetor Assembly
8	78631	1	Carb./Manifold Gasket
9	90948	1	HS Intake Manifold
10	78608	1	Air Cleaner Cover
11	78601	1	Air Filter Element
12	78602	1	Air Filter Pre-Cleaner
13	83015	1	Recoil Cup
14	81671	1	Recoil Assembly
15	90051	1	Manifold/Head Gasket
16	91846	1	Carburetor/Air Cleaner Gasket
17	78609	2	Bolt - Air Cleaner Cover
18	90947	1	Breather Hose
19	82774	1	4 x 19 Woodruff Key
20	86962	1	Governor Lever Assembly
21	78604	1	Governor Spring
22	83502	1	Governor Adjusting Screw
24	83782	1	Idle Control Coil
25	86037	1	Anti-Lash Extension Spring
26	86384	1	Governor Rod
27	83781	1	Gov. Adjust Bracket
28	78643	2	Carburetor Mtng. Bolt
29	83503	1	M5-0.8 Lock Nut
30	89739	1	Bottom Wrapper
31	78607	1	Air Cleaner Base
32	78651C	1	Blower Housing Back Plate
33	92984	1	Top Wrapper
34	80303	1	Breather Canal Cover
35	72347	1	RC12YC Spark Plug [Champion]
36	45756	5	M6-1.0 x 10mm Bolt
37	66476	11	M6-1.0 x 12mm Capscrew with lock washer -2 req.
38	80316	1	M6-1.0 x 30mm Capscrew with lock washer
39	59635	1	No. 8 x 3/8" Plastite Screw
40	83504	1	Choke Lever Knob
43	82981	2	M6-1.0 x 30mm Taptite Bolt
44	78653	1	Shut-off Switch
45	49813	2	M6-1.0 Hex Nut
46	22097	1	M6 Lock Washer
47	83512	1	M8 x 15mm Taptite Bolt
48	85272	1	Low Oil Indicator LED
49	77667	1	4 psi Oil Pressure Switch
51	84195	1	LOS Engine Decal
56	85953	1	Carburetor Wear Washer
57	91848	1	Oil Filter Pad Gasket
58	92978	2	M6-1.0 x 20mm Screw

Engine Trim Specifications

Note: Unless noted otherwise, use the standard torque specifications

Mfg. No: 0485-0



Engine Trim Specifications

REF NO	PART NO	QTY	DESCRIPTION
61	87221A	1	LOS Module -Optional
62	88758	1	By-pass Adaptor -Optional
64	94820	1	Expansion Plug
68	66311	1	JAM-M8-1.25 Hex Nut
69	49811	1	M6-12.5 O.D. Flat Washer
70	95213	1	Fuel Tank Bracket

Not For Reproduction

Pressure Washer

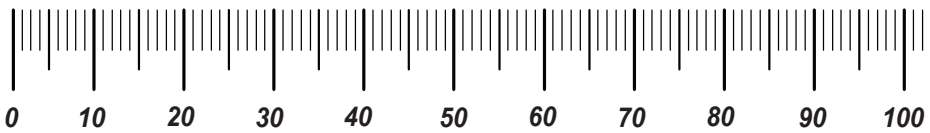
REF NO	PART NO	QTY	DESCRIPTION
1	92293	1	Pump - 3 GPM at 2000 PSI
2	22336	4	5/16"-24 x 3/4" Hex Head Capscrew
3	92479	4	5/16" Conical Lock Washer
4	22246	2	Lock Washer
5	89241	1	3/16" x 1/4" Key
6	95459	1	Quick Disconnect - hose-to-gun
7	95458	1	Quick Disconnect - hose-to-gun
8	96623	1	Thermal Relief Valve
9	94994A	1	Fuel Tank
10	96001	4	M6-1.0 x 21mm Bolt
11	31669	2	1/4"-20 x 1-3/4" Carriage Bolt
12	96002	4	Fuel Tank Bushing
13	90878	1	Fuel Tank Cap
14	48031C	4	Hose Clamp
15	30340	1	1/4" I.D. Fuel Line
16	96193	1	Fuel Shut-off Valve
17	95214	1	Fuel Tank Cradle
19	52857	2	M6-1.0 Locking Nut
20	83512	2	M8-1.25 x 15mm Screw
22	96622	1	Brass Gun Swivel
23	52858	10	M8 Hex Locking Nut
24	95587A	1	1.20" dia. Nozzle Head
25	88688	1	Muffler Assembly
26	98758	1	Oil Dipstick Cap
27	98696	1	Handle
28	89476	1	Exhaust Gasket
29	40976	2	M8 x 20mm Socket Head Capscrew
30	49808	2	M12 Flat Washer
31	88521	2	10" dia. Wheel
32	39414	4	M8 x 35mm Hex Head Capscrew
35	87841	2	Vibration Mount
36	39253	6	M8 x 20mm Hex Head Capscrew
37	97178	2	Knob Handle
38	96414	1	Decal - Important
40	93728A	2	Pin-wheel Axle
41	96415	1	Decal - Caution (English)
42	96685	1	Decal - Caution (Spanish)
44	92661	1	Replacement Nozzle
46	89634A	1	High Pressure Hose
47	91104	1	Spray Gun and Wand Assembly
49	87815	2	Safety Goggles
50	96963	1	Mounting Base
51	92550	1	Plastic Chemical Injector Hose and Filter
52	98698A	1	Right Tube/Support Assembly
53	98698B	1	Left Tube/Support Assembly
54	25391	2	Jam Nut
55	90991 H	1	Engine
56	75402	2	1/2" dia. Push Nut
57	97104	1	Logo Decal

Hardware Identification & Torque Specifications

Torque Specification Chart								
FOR STANDARD METRIC MACHINE HARDWARE (Tolerance ± 20%)								
Property Class	5.6		8.8		10.9		12.9	
	Class 5.6		Class 8.8		Class 10.9		Class 12.9	
Size Of Hardware	in/lbs	Nm.	in/lbs	Nm.	in/lbs	Nm.	in/lbs	Nm.
	ft/lbs		ft/lbs		ft/lbs		ft/lbs	
M3	5.88	.56	13.44	1.28	19.2	1.80	22.92	2.15
M4	13.44	1.28	30.72	2.90	43.44	4.10	52.56	4.95
M5	26.4	2.50	60.96	5.75	5.97	8.10	7.15	9.7
M6	44.64	4.3	7.3	9.9	10.3	14	12.1	16.5
M7	5.2	7.1	12.1	16.5	16.9	23	19.9	27
M8	7.7	10.5	17.7	24	25	34	29	40
M10	15	21	35	48	50	67	59	81
M12	26	36	61	83	86.2	117	103	140
M14	42	58	101	132	136	185	162	220
M16	64	88	147	200	210	285	250	340
M18	89	121	202	275	287	390	346	470
M20	126	171	290	390	405	550	486	660
M22	169	230	390	530	559	745	656	890
M24	217	295	497	375	708	960	840	1140
M27	320	435	733	995	1032	1400	1239	1680
M30	435	590	995	1350	1401	1900	1681	2280
M33	590	800	1349	1830	1902	2580	2278	3090
M36	759	1030	1740	2360	2441	3310	2935	3980
M39	988	1340	2249	3050	3163	4290	3798	5150

Torque Specification Chart						
FOR STANDARD MACHINE HARDWARE (Tolerance ± 20%)						
Hardware Grade	No Marks		SAE Grade 5		SAE Grade 8	
	SAE Grade 2		SAE Grade 5		SAE Grade 8	
Size Of Hardware	in/lbs	Nm.	in/lbs	Nm.	in/lbs	Nm.
	ft/lbs		ft/lbs		ft/lbs	
8-32	19	2.1	30	3.4	41	4.6
8-36	20	2.3	31	3.5	43	4.9
10-24	27	3.1	43	4.9	60	6.8
10-32	31	3.5	49	5.5	68	7.7
1/4-20	66	7.6	8	10.9	12	16.3
1/4-28	76	8.6	10	13.6	14	19.0
5/16-18	11	15.0	17	23.1	25	34.0
5/16-24	12	16.3	19	25.8	29	34.0
3/8-16	20	27.2	30	40.8	45	61.2
3/8-24	23	31.3	35	47.6	50	68.0
7/16-14	30	40.8	50	68.0	70	95.2
7/16-20	35	47.6	55	74.8	80	108.8
1/2-13	50	68.0	75	102.0	110	149.6
1/2-20	55	74.8	90	122.4	120	163.2
9/16-12	65	88.4	110	149.6	150	204.0
9/16-18	75	102.0	120	163.2	170	231.2
5/8-11	90	122.4	150	204.0	220	299.2
5/8-18	100	136	180	244.8	240	326.4
3/4-10	160	217.6	260	353.6	386	525.0
3/4-16	180	244.8	300	408.0	420	571.2
7/8-9	140	190.4	400	544.0	600	816.0
7/8-14	155	210.8	440	598.4	660	897.6
1-8	220	299.2	580	788.8	900	1,244.0
1-12	240	326.4	640	870.4	1,000	1,360.0

The guides and ruler furnished below are designed to help you select the appropriate hardware.

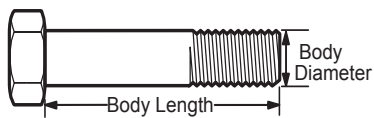


Nut, M8

Thread Diameter (mm)

Inside Diameter (in) Threads per inch

Nut, 1/2-16



Screw, M8- 1.25 x 25

Thread Diameter (mm) Distance between threads (mm) Body Length (mm)

Body Diameter Threads per inch Body Length (in)

Screw, 1/2- 16 x 2



Standard Hardware Sizing

When a washer or nut is identified as 1/2" (M8), this is the *Nominal size*, meaning the *inside diameter* is 1/2 inch (8mm metric thread diameter); if a second number is present it represents the *threads per inch* (distance between threads).

When bolt or capscrew is identified as 1/2 - 16 x 2" (M8 - 1.25 x 50), this means the *Nominal size*, or body diameter is 1/2 inch (8mm metric thread diameter), the second number, 16, represents the *threads per inch*, (*distance between threads*). The final number is the body length of the bolt or screw, 2 inches (50mm).

NOTES

- These torque values are to be used for all hardware excluding: locknuts, self-tapping screws, thread forming screws, sheet metal screws and socket head setscrews.
- Recommended seating torque values for locknuts:
 - for prevailing torque locknuts - use 65% of grade 5 torques.
 - for flange whizlock nuts and screws - use 135% of grade 5 torques.
- Unless otherwise noted on assembly drawings, all torque values must meet this specification.

Common Hardware Types

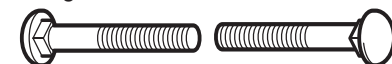
Hex Head Capscrew



Washer



Carriage Bolt



Hex Nut

Wrench & Fastener Size Guide

1/4" Bolt or Nut Wrench—7/16"	5/16" Bolt or Nut Wrench—1/2"	3/8" Bolt or Nut Wrench—9/16"	7/16" Bolt or Nut Wrench (Bolt)—5/8" Wrench (Nut)—11/16"	1/2" Bolt or Nut Wrench—3/4"
M6 Bolt or Nut Wrench—10mm	M8 Bolt or Nut Wrench—13mm	M10 Bolt or Nut Wrench—17mm	M12 Bolt or Nut Wrench—19mm	M14 Bolt or Nut Wrench—22mm

